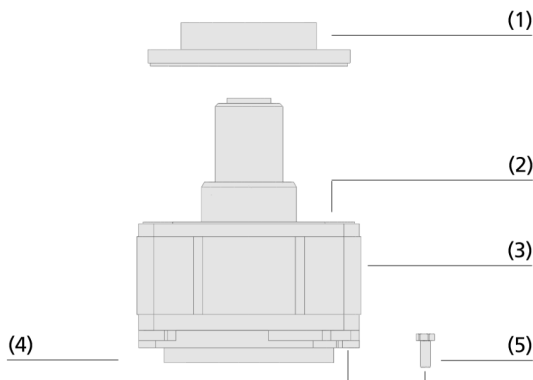


Mechanical Clamps VCMC-B

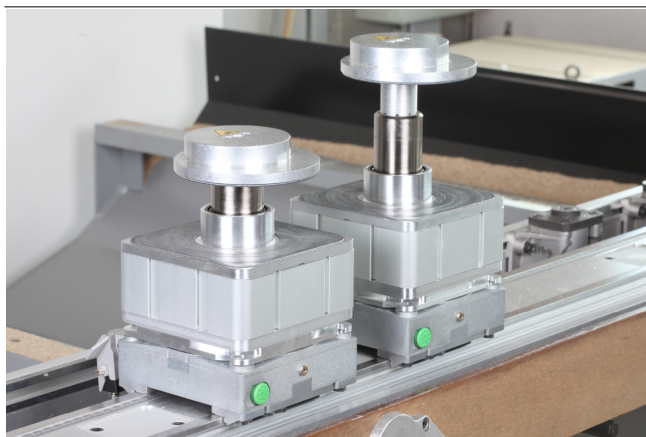
Clamping range 25 to 100 mm



Mechanical Clamps VCMC-B



System Design Mechanical Clamps VCMC-B



Mechanical clamps VCMC-B for clamping of narrow workpieces

Suitability for Industry Specific Applications

- Mechanical clamping system for console tables from Biesse with matching suction cup mount
- The mechanical clamps are actuated via vacuum so that no further medium is required at the machine for clamping
- The clamps are adapted to the Mounts of the machine and fixed using a bayonet mount with two hexagon head screws
- Eccentric clamping disc provides a large clamping area and can be freely rotated for use in any orientation
- Safe clamping of narrow and curved workpieces such as frame parts and window profiles

Design

- Eccentric clamping disc (1) is pulled downwards by the vacuum of the Biesse console via a piston in the clamp
- Friction material (2) for optimizing lateral force absorption
- Main body (3) made of aluminum with interface (4) to the Biesse console
- Hexagon head screws (5) for fixing the clamp to the mount

Product Highlights

- Eccentrically positioned clamping plates for optimum use of the clamping surface
- Holds even narrow workpieces securely with clamping forces of up to 700 N
- No additional medium necessary, as it can be activated via the operating vacuum of the CNC machining center
- Withstands the strongest lateral forces thanks to special friction materials

Mechanical Clamps VCMC-B

Clamping range 25 to 100 mm

Designation Code Mechanical Clamps VCMC-B

VCMC-B	-	130x130x74	-	25-100
1		2		3

1 - Abbreviated designation

Code	Type
VCMC-B	Mechanical clamp, Biesse system

2 - Dimensions

Code	LxWxH in mm
130x130x74	130x130x74

3 - Clamping range

Code	Clamping range in mm
25-100	25-100

The mechanical clamp VCMC-B is delivered assembled. The product consists of:

- Clamping disc
- Main body made of aluminium

Available spare parts: Clamping disc

Ordering Data Mechanical Clamps VCMC-B

Type	Part no.
VCMC-B 130x130x74 25-100	10.01.12.03129

Ordering Data Spare Parts Mechanical Clamps VCMC-B

Type	Part no.
Clamping disc Eccentric Flat	SPAN-TELL 110x14 EX VCMC 10.01.12.01980
Clamping disc Eccentrically standard	SPAN-TELL 110x25.5 EX VCMC 10.01.12.01930
Clamping disc Eccentrically high	SPAN-TELL 110x40.5 EX VCMC 10.01.12.01936

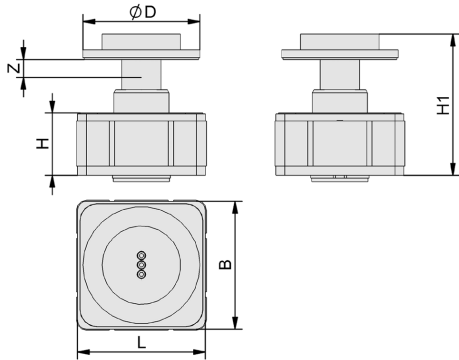
Technical Data Mechanical Clamps VCMC-B

Type	Clamping range [mm]	Weight [kg]
VCMC-B 130x130x74 25-100	25.0 ... 100.0 mm	3.3

Mechanical Clamps VCMC-B

Clamping range 25 to 100 mm

Design Data Mechanical Clamps VCMC-B



VCMC-B

Mechanical Clamps VCMC-B

Clamping range 25 to 100 mm

Design Data Mechanical Clamps VCMC-B

Type	B [mm]	D [mm]	H [mm]	H1 [mm]	L [mm]	Z (Stroke) [mm]
VCMC-B 130x130x74 25-100	130	110	74	144	130	25

Multimedia product presentation

Medium	Link
Product video	https://vimeo.com/178568576 https://vimeo.com/194826873 https://vimeo.com/193850139 https://vimeo.com/260009196